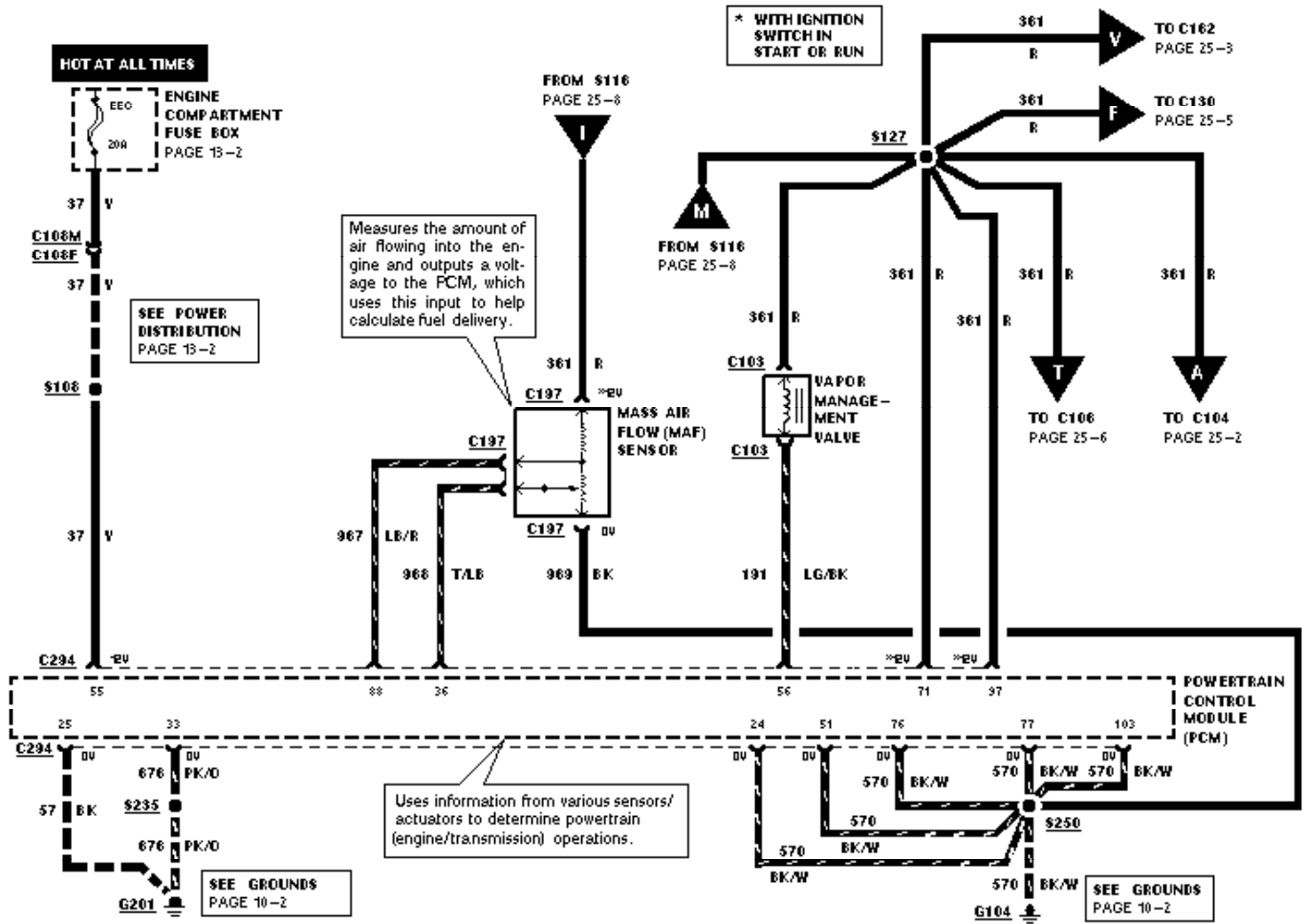


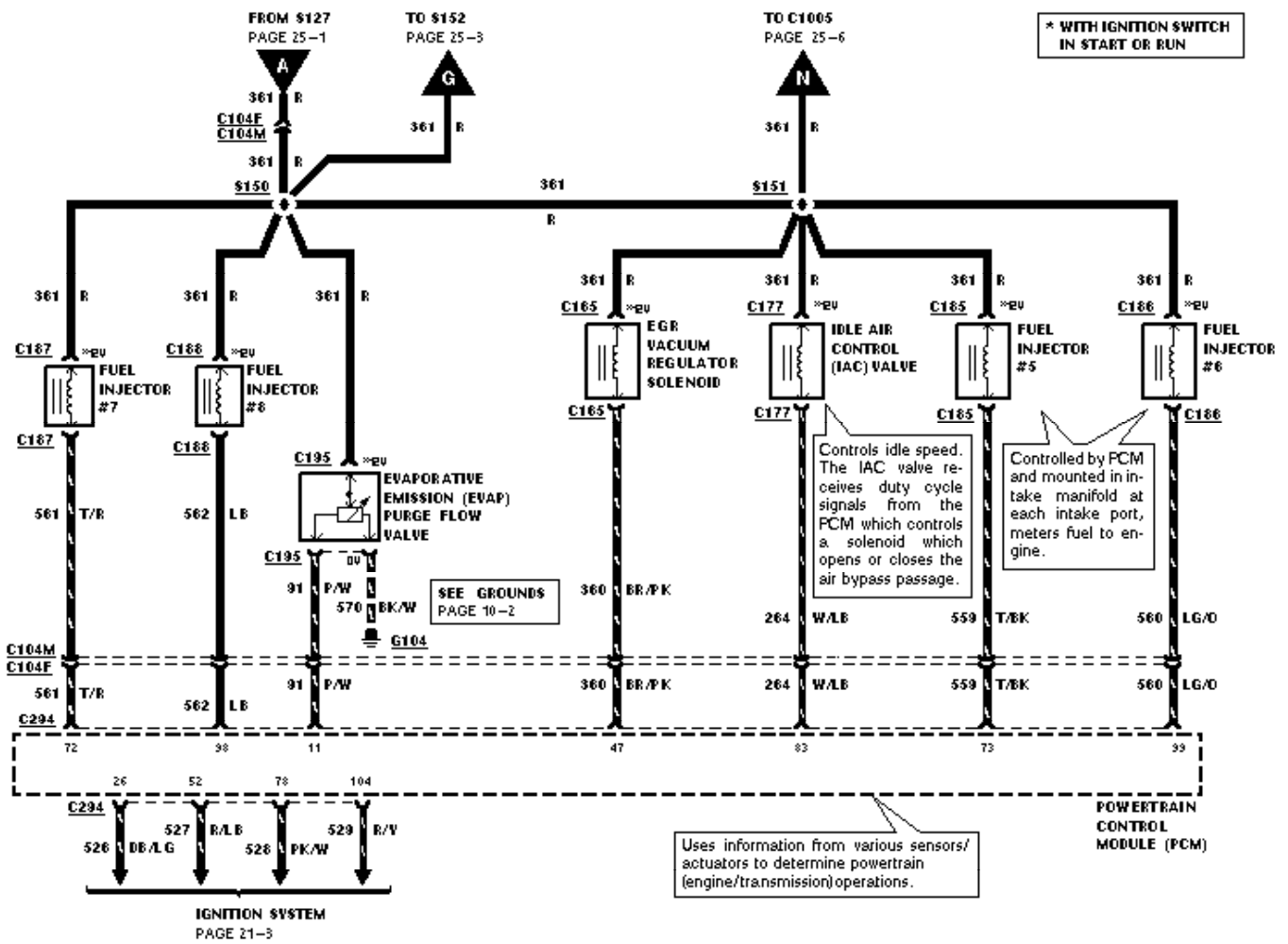
## 25-1 Electronic Engine Control, 4.6L 4V

➤ Component   
 ➤ Connector   
 ➤ Ground   
 ➤ Splice   
 ➤ Page   
 ➤ Harness



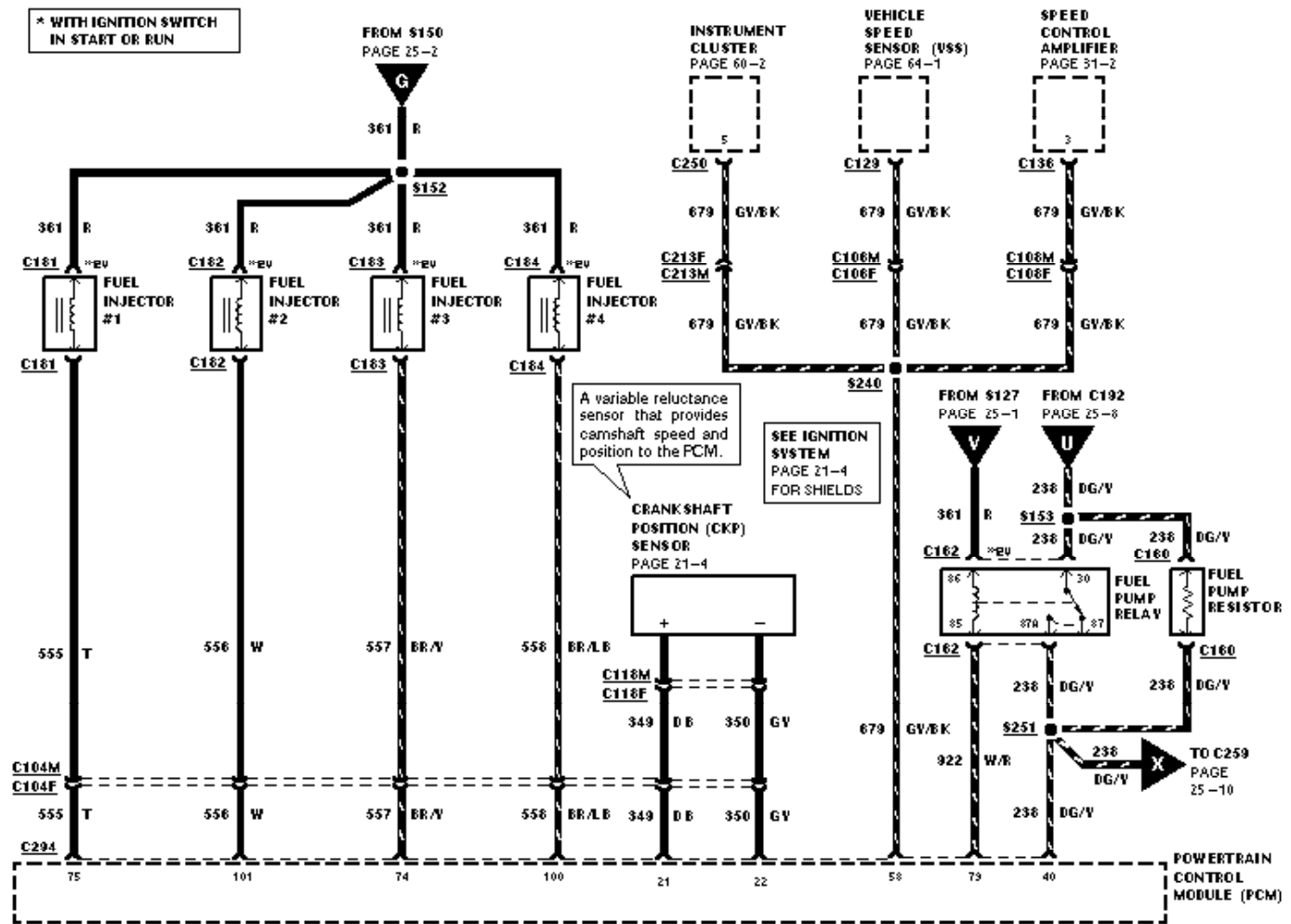
## 25-2 Electronic Engine Control, 4.6L 4V

➤ Component   
 ➤ Connector   
 ➤ Ground   
 ➤ Splice   
 ➤ Page   
 ➤ Harness



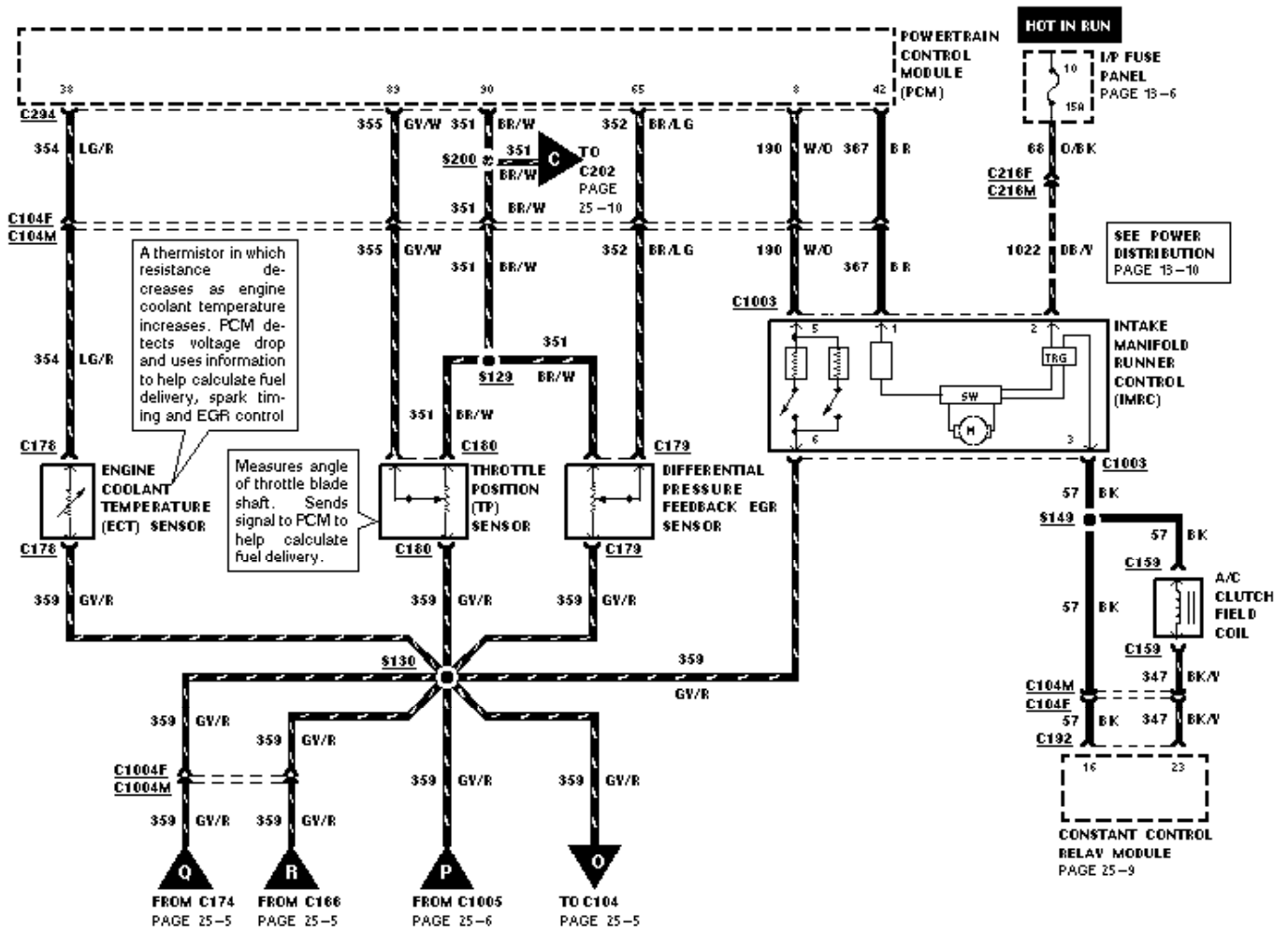
## 25-3 Electronic Engine Control, 4.6L 4V

➡ Component   ➡ Connector   ➡ Splice   ➡ Page   ➡ Harness



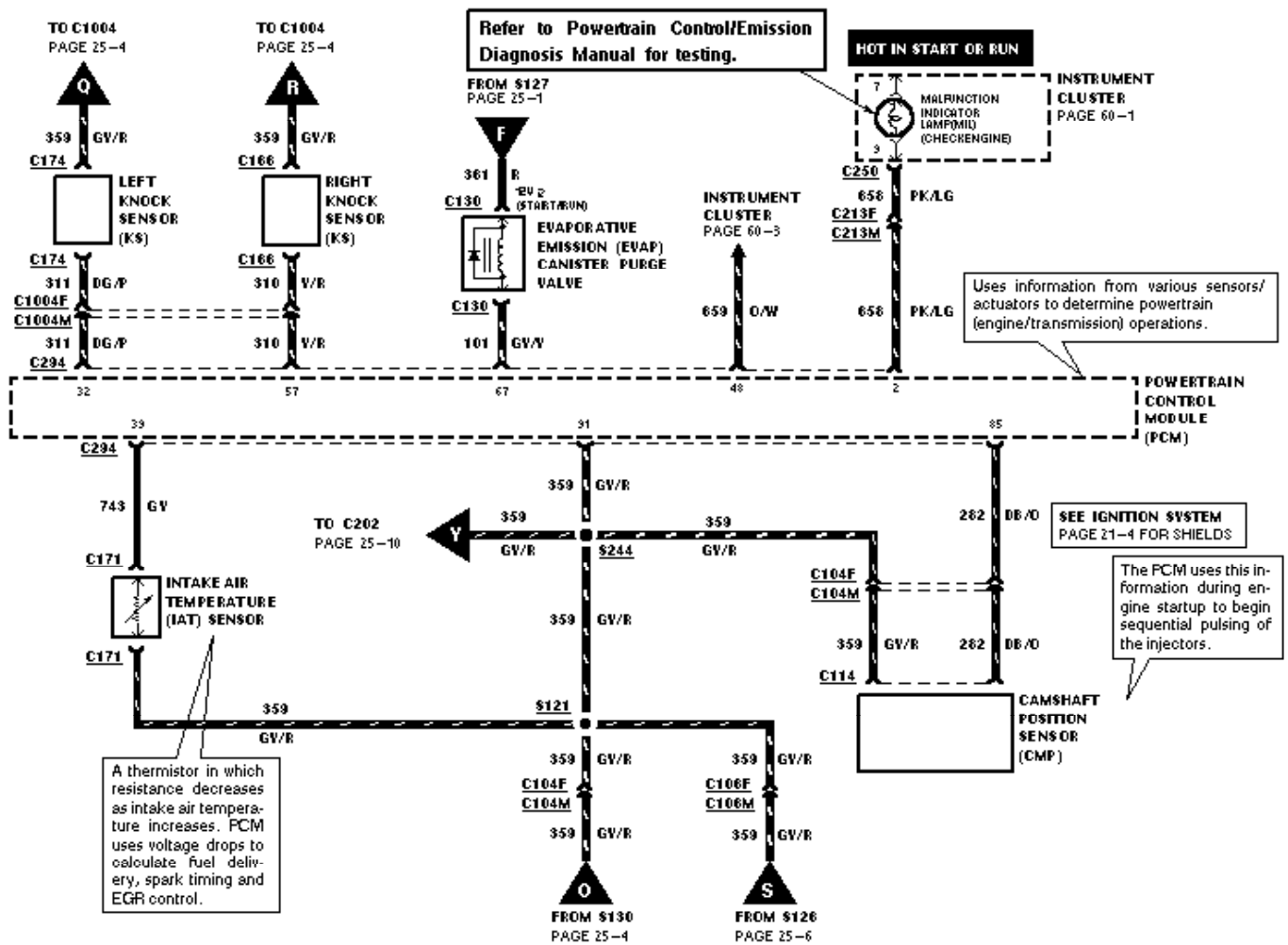
## 25-4 Electronic Engine Control, 4.6L 4V

- ➡ Component
- ➡ Connector
- ➡ Splice
- ➡ Page
- ➡ Harness



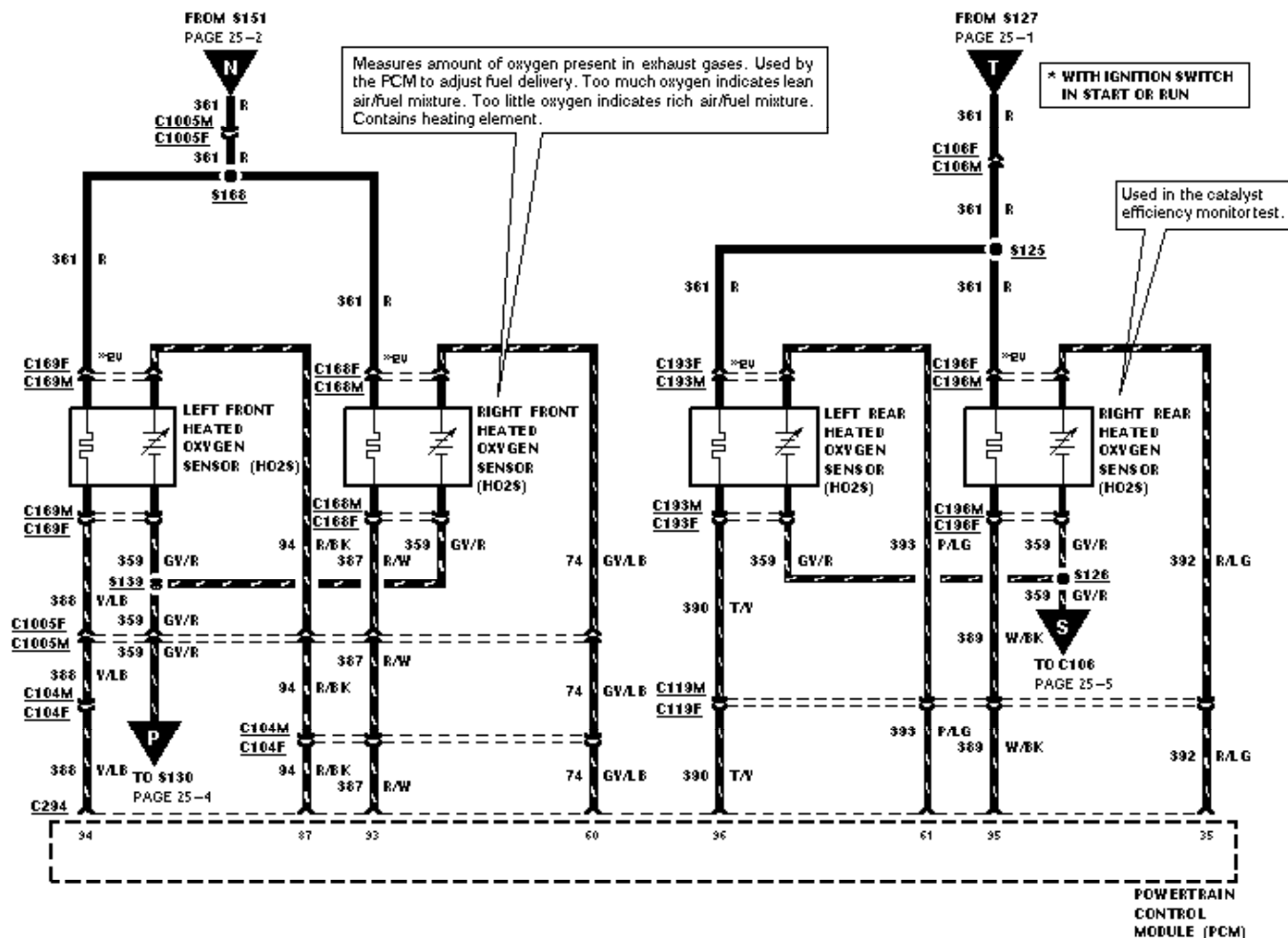
## 25-5 Electronic Engine Control, 4.6L 4V

➡ Component
➡ Connector
➡ Splice
➡ Page
➡ Harness



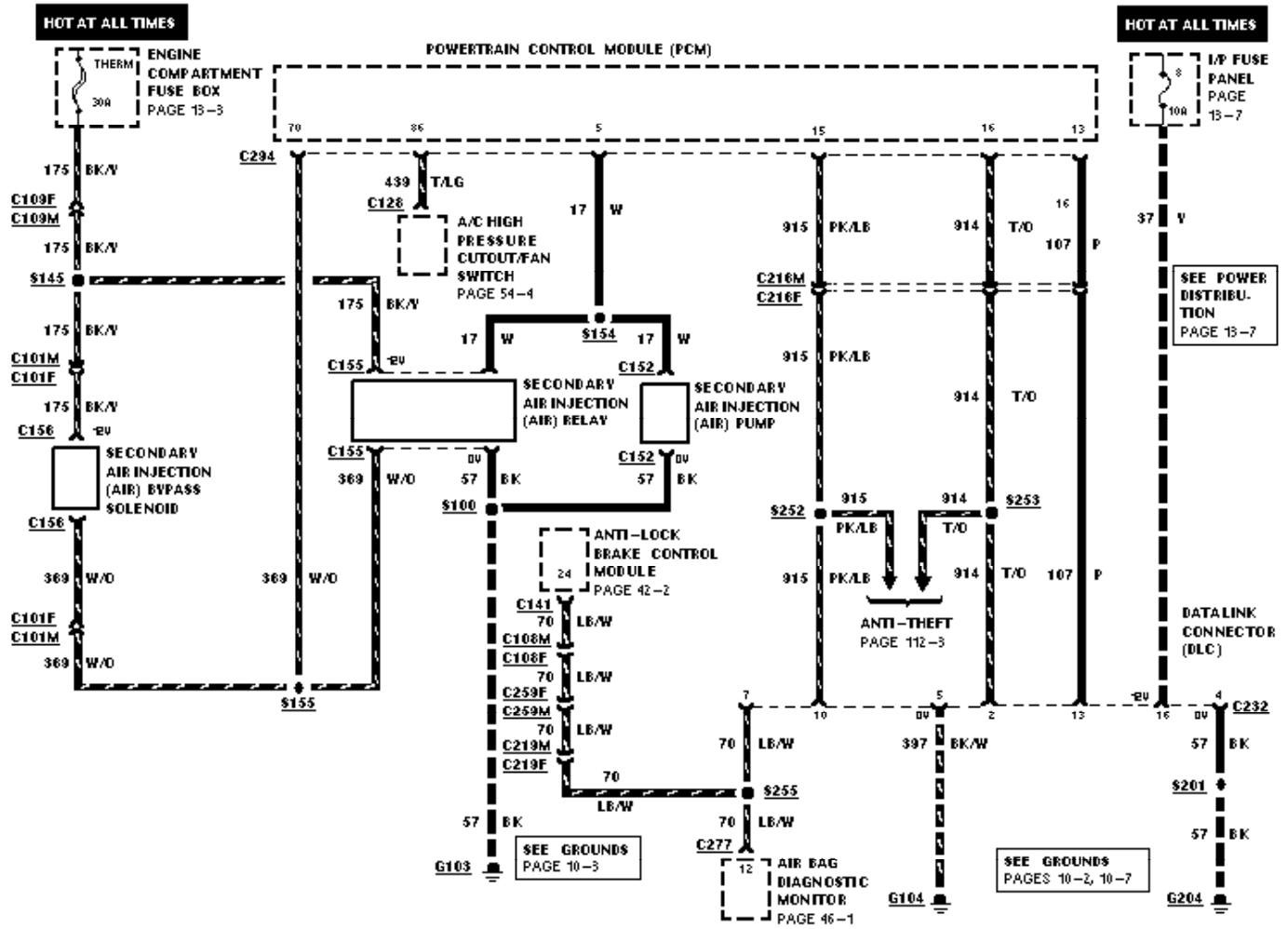
## 25-6 Electronic Engine Control, 4.6L 4V

➡ Component   ➡ Connector   ➡ Splice   ➡ Page   ➡ Harness



## 25-7 Electronic Engine Control, 4.6L 4V

➡ Component   ➡ Connector   ➡ Ground   ➡ Splice   ➡ Page   ➡ Harness



## 25-8 Electronic Engine Control, 4.6L 4V

➔ Component

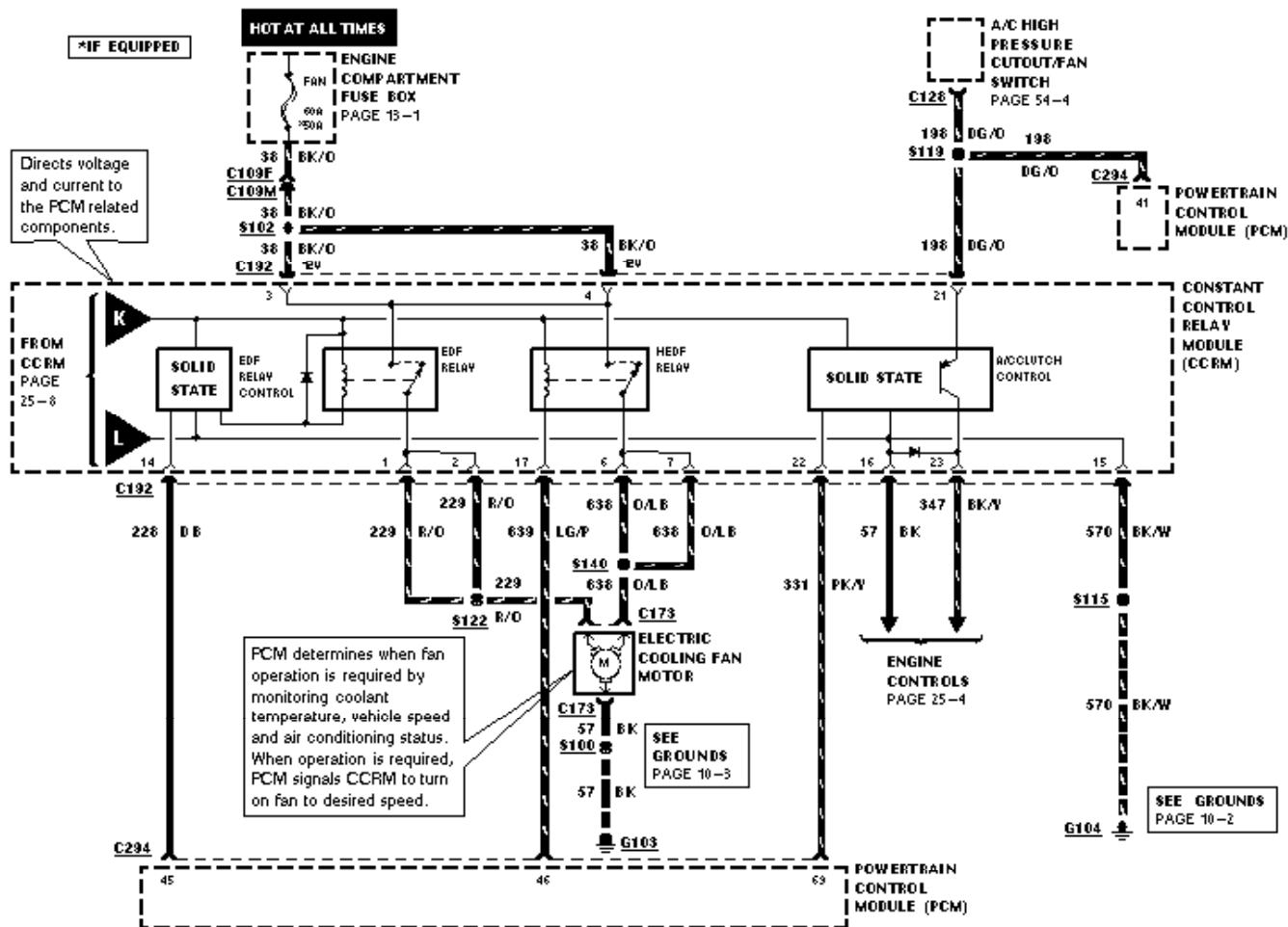
➔ Connector

➔ Splice

➔ Page

➔ Harness





## 25-10 Electronic Engine Control, 4.6L 4V

➡ Component   ➡ Connector   ➡ Ground   ➡ Splice   ➡ Page   ➡ Harness

